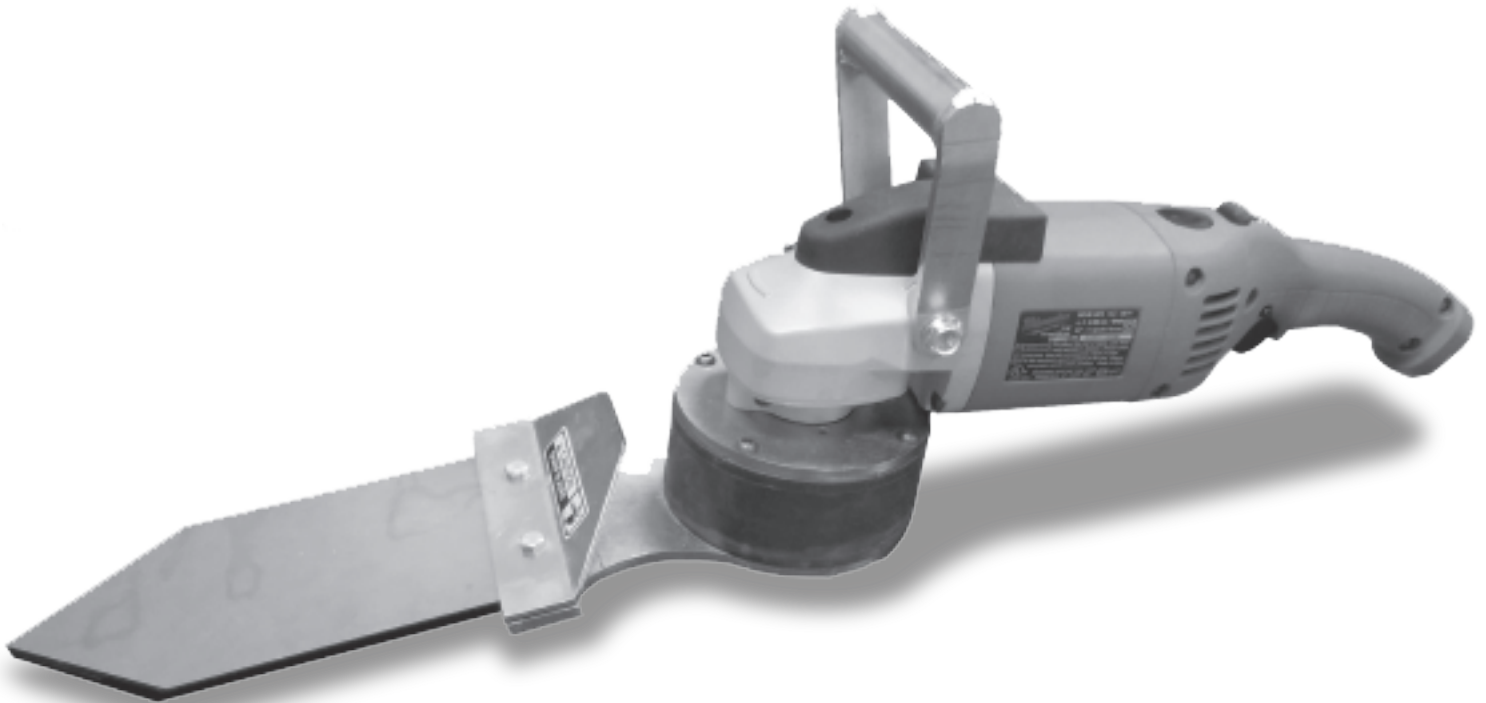


3535

CORNER TOOL



Instruction Manual • Read manual before operating machine



9250 Xylon Avenue North • Minneapolis, MN 55445 • USA

800.245.0267 • 763.535.8206 • Fax: 800.648.7124

nationalequipment.com

402564 Rev A

TABLE OF CONTENTS

■ Table of Contents.....	2
■ Rules for Safe Operation.....	3-6
A. Grounding.....	5
B. Extension Cords.....	6
■ Introduction.....	7
■ Accessories.....	8
■ Diamonds.....	9
■ Maintenance	10-11
■ Complete Parts List	12
■ Part Numbers and Diagrams.....	13
■ Labels	13
■ Guarantee.....	14
■ Return Sheet	15



RULES FOR SAFE OPERATION

READ AND SAVE ALL INSTRUCTIONS FOR FUTURE USE. Before use, be sure everyone operating this equipment reads and understands this manual as well as any labels packaged with or attached to the machine and components and view the instruction video. Extra copies of the manual and video are available upon request.

1. **KNOW YOUR equipment:** Read this manual and view instruction video carefully to learn equipment applications and limitations as well as potential hazards associated with this type of equipment.
2. **GROUND YOUR TOOL:** See Grounding.
3. **AVOID DANGEROUS ENVIRONMENTS:** Do not use in rain, damp or wet locations, or in the presence of explosive atmospheres (gaseous fumes, dust or flammable materials). Remove materials or debris that may be ignited by sparks.
4. **KEEP WORK AREA CLEAN AND WELL LIT:** Cluttered, dark work areas invite accidents.
5. **DRESS PROPERLY:** Do not wear loose clothing. These may be caught in moving parts. When working outdoors, wear rubber gloves and insulated non-skid footwear. Keep hands and gloves away from moving parts.
6. **USE SAFETY EQUIPMENT:** Everyone in the work area should wear safety goggles or glasses complying with current safety standards. Wear hearing protection during extended use and a dust mask for dusty operations. Hard hats, face shields, safety shoes, etc. should be worn when specified or necessary.
7. **KEEP BYSTANDERS AWAY:** Children and bystanders should be kept at a safe distance from the work area to avoid distracting the operator and contacting the tool or extension cord. Operator should be aware of who is around them and their proximity.
8. **PROTECT OTHERS IN THE WORK AREA:** Provide barriers or shields as needed to protect others from debris and machine operation.
9. **USE PROPER ACCESSORIES:** Using accessories that are not recommended may be hazardous. Be sure accessories are properly installed and maintained. Do not delete a guard or other safety device when installing an accessory or attachment.
10. **CHECK FOR DAMAGED PARTS:** Inspect guards and other parts before use. Check for misalignment, binding of moving parts, improper mounting, broken parts and any other conditions that may affect operation. If abnormal noise or vibration occurs, turn the tool off immediately and have the problem corrected before further use. Do not use damaged equipment. Tag damaged tools "DO NOT USE" until repaired. A guard or other damaged parts should be properly repaired or replaced. For all repairs, insist on only identical National replacement parts.
11. **REMOVE ALL ADJUSTING KEYS AND WRENCHES:** Make a habit of checking that the adjusting keys, wrenches, etc. are removed from the tool before turning it on.
12. **GUARD AGAINST ELECTRIC SHOCK:** Prevent body contact with grounded surfaces such as pipes, radiators, ranges and refrigerators. When scoring or making cuts, always check the work area for hidden wires or pipes. Use a Ground Fault Circuit Interrupter (GFCI) to reduce shock hazards.
13. **AVOID ACCIDENTAL STARTING:** Be sure equipment is turned off before plugging it in. Do not use if the power switch does not turn the machine on and off.
14. **DO NOT FORCE equipment:** Equipment will perform best at the rate for which it was designed. Excessive force only causes operator fatigue, increased wear and reduced control.



RULES FOR SAFE OPERATION

15. KEEP HANDS AWAY FROM ALL MOVING PARTS.
16. DO NOT ABUSE CORD: Never unplug by yanking the cord from the outlet. Pull plug rather than cord to reduce the risk of damage. Keep the cord away from heat, oil, sharp objects, cutting edges and moving parts.
17. DO NOT OVERREACH. MAINTAIN CONTROL: Keep proper footing and balance at all times. Maintain a firm grip.
18. STAY ALERT: Watch what you are doing, and use common sense. Do not use when you are tired, distracted or under the influence of drugs, alcohol or any medication causing decreased control.
19. UNPLUG equipment: When it is not in use, unplug tool before changing accessories or performing recommended maintenance or when not in use.
20. MAINTAIN equipment CAREFULLY: Keep handles dry, clean and free from oil and grease. Keep cutting edges sharp and clean. Follow instructions for lubricating and changing accessories. Periodically inspect tool cords and extension cords for damage. Have damaged parts repaired or replaced.
21. STORE IDLE equipment: When not in use, store in a dry, secured place. Keep away from children.
22. MAINTAIN LABELS AND NAMEPLATES: These carry important information. If unreadable or missing, contact National for a free replacement.

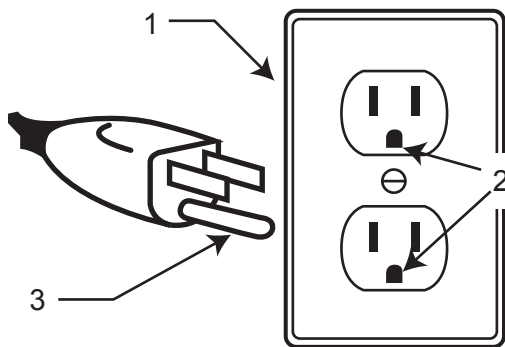
WARNING: Exposure to dust may cause respiratory ailments. Use approved NIOSH or OSHA respirators, safety glasses or face shields, gloves and protective clothing. Provide adequate ventilation to eliminate dust, or to maintain dust level below the Threshold Limit Value for nuisance dust as classified by OSHA.

RULES FOR SAFE OPERATION

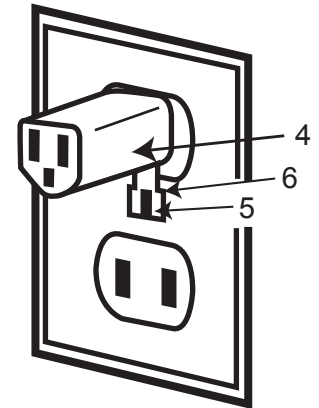
GROUNDING

⚠ WARNING: Improperly connecting the grounding wire can result in the risk of electric shock. Check with a qualified electrician if you are in doubt as to whether the outlet is properly grounded. Do not modify the plug provided with the tool. Never remove the grounding prong from the plug. Do not use the tool if the cord or plug is damaged. If the plug will not fit the outlet, have a proper outlet installed by a qualified electrician.

⚠ WARNING: Electrical cords can be hazardous. Misuse can result in fire or death by electrical shock. Read carefully and follow all directions.



1. Cover of grounded outlet box
2. Outlet ground
3. Grounding prong
4. Temporary adapter
5. Screw
6. Green grounding ear



Grounded Tools: Tools with Three Prong Plugs

Tools marked “Grounding Required” have a three wire cord and three prong grounding plug. The plug must be connected to a properly grounded outlet (See Figure A). If the tool should electrically malfunction or break down, grounding provides a low resistance path to carry electricity away from the user, reducing the risk of electric shock.

The grounding prong in the plug is connected through the green wire inside the cord to the grounding system in the tool. The green wire in the cord must be the only wire connected to the tool's grounding system and must never be attached to an electrically “live” terminal.

Your tool must be plugged into an appropriate outlet, properly installed and grounded in accordance with all codes and ordinances. The plug and outlet should look like those in Figure A.

Figure B illustrates a temporary adapter available for connecting grounded plugs (Figure A) to two prong outlets. The green rigid ear or lug extending from the adapter must be connected to a permanent ground such as a properly grounded outlet box or receptacle. Simply remove the center screw from the outlet, insert the adapter and reattach the screw through the green grounding ear to the outlet. If in doubt of proper grounding, call a qualified electrician. A temporary adapter should only be used until a properly grounded outlet can be installed by a qualified electrician. The Canadian Electrical Code prohibits the use of temporary adapters.

RULES FOR SAFE OPERATION


EXTENSION CORDS

⚠ WARNING: Electrical cords can be hazardous. Misuse can result in fire or death by electrical shock. Read carefully and follow all directions.

Grounded tools require a three wire extension cord. Double insulated tools can use either a two or three wire extension cord. As the distance from the supply outlet increases, you must use a heavier gauge extension cord. Using extension cords with inadequately sized wire causes a serious drop in voltage, resulting in loss of power and possible tool damage.

The smaller the gauge number of the wire, the greater the capacity of the cord. For example, a 14 gauge cord can carry a higher current than a 16 gauge cord. When using more than one extension cord to make up the total length, be sure each cord contains at least the minimum wire size required. If you are using one extension cord for more than one tool, add the nameplate amperes and use the sum to determine the required minimum wire size.

Guidelines for Using Extension Cords

- If you are using an extension cord outdoors, make sure it is marked with the suffix “W-A” (“W” in Canada) to indicate that it is acceptable for outdoor use.
- Be sure your extension cord is properly wired and in good electrical condition. Always replace a damaged extension cord or have it repaired by a qualified person before using it.
- Protect your extension cords from sharp objects, excessive heat and damp or wet areas.
- Keep away from water. Do not use if wet. 
- Inspect thoroughly before each use. **DO NOT USE IF DAMAGED.**
- Make sure equipment is OFF before connecting cord outlet.
- **FULLY INSERT** plug into outlet.
- Do not remove, bend or modify any metal prongs or pins of cord.
- Do not use excessive force to make connections.
- Do not connect a three prong plug to a two-hole cord.
- Avoid overheating. Uncoil cord and do not cover it with any material.
- Do not walk on cord.
- Do not drive, drag or place objects over cord.

READ AND SAVE ALL INSTRUCTIONS FOR FUTURE REFERENCE.



INTRODUCTION

BREAKING IN the #3535 CORNER TOOL

- After the first half hour (30 min.) of use, check all screws and fittings for a tight and secure fit.



MAINTENANCE

⚠ WARNING: To reduce the risk of injury, always unplug your tool before performing any maintenance. Never disassemble the tool or try to do any rewiring on the tool's electrical system. Contact National for ALL repairs.

MAINTAINING TOOLS:

Keep your tool in good repair by adopting a regular maintenance program. Before use, examine the general condition of your tool. Inspect guards, switches, tool cord set and extension cord for damage. Check for loose screws, misalignment, binding of moving parts, improper mounting, broken parts and any other condition that may affect its safe operation. If abnormal noise or vibration occurs, turn the tool off immediately and have the problem corrected before further use. Do not use a damaged tool. Tag damaged tools "NO NOT USE" until repaired (see "Repairs").

Under normal conditions, relubrication is not necessary until the motor brushes need to be replaced. After six months to one year, depending on use, return your tool to the nearest National service facility for the following:

- Lubrication
- Mechanical inspection and cleaning (pulleys, spindles, bearings, housing, etc.)
- Electrical inspection (switch, cord, plugs, etc.)
- Testing to assure proper mechanical and electrical operation.

CLEANING:

Clean dust and debris from vents. Keep the tool handles clean, dry and free of oil or grease. Use only mild soap and a damp cloth to clean your tool since certain cleaning agents and solvents are harmful to plastics and other insulated parts. Some of these include: gasoline, turpentine, lacquer thinner, paint thinner, chlorinated cleaning solvents, ammonia and household detergents containing ammonia. Never use flammable or combustible solvents around tools.

⚠ WARNING: To reduce the risk of injury, electric shock and damage to the tool, never immerse your tool in liquid or allow a liquid to flow inside the tools.

REPAIRS:

If your tool is damaged, call for a return authorization number and return the entire tool.

- Shipments are not accepted without a return authorization number.
- COD or freight collect shipments will not be accepted.

Due to our lack of control of the many flooring removal conditions and techniques used in the field, National will not be held responsible for injury to anyone or damage to any object, resulting through use of the 3535 Corner Tool regardless of its age or condition or the manner in which it is used.



MAINTENANCE

INNER PARTS ASSEMBLY/DISASSEMBLY

- Step 1) Remove four (4) lower cutting head bolts with a 7/16" wrench.
- Step 2) Remove four (4) bottom head bolts with a 7/16" wrench. This will remove the rubber ring.
- Step 3) Remove eccentric bearings by pulling off with with a bearing puller (See Figure 1). Eccentric will be exposed (See Figure 2).

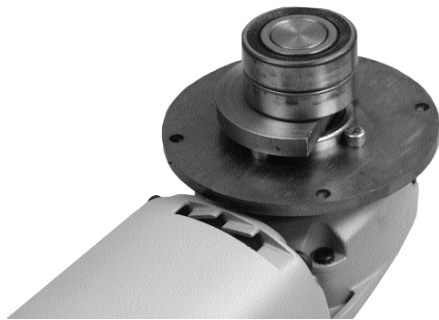


Figure 1

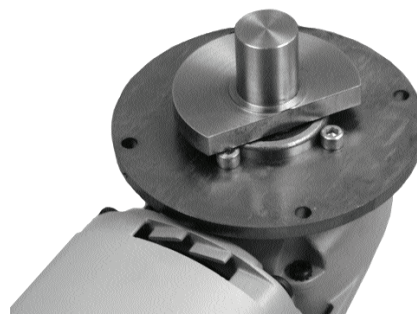
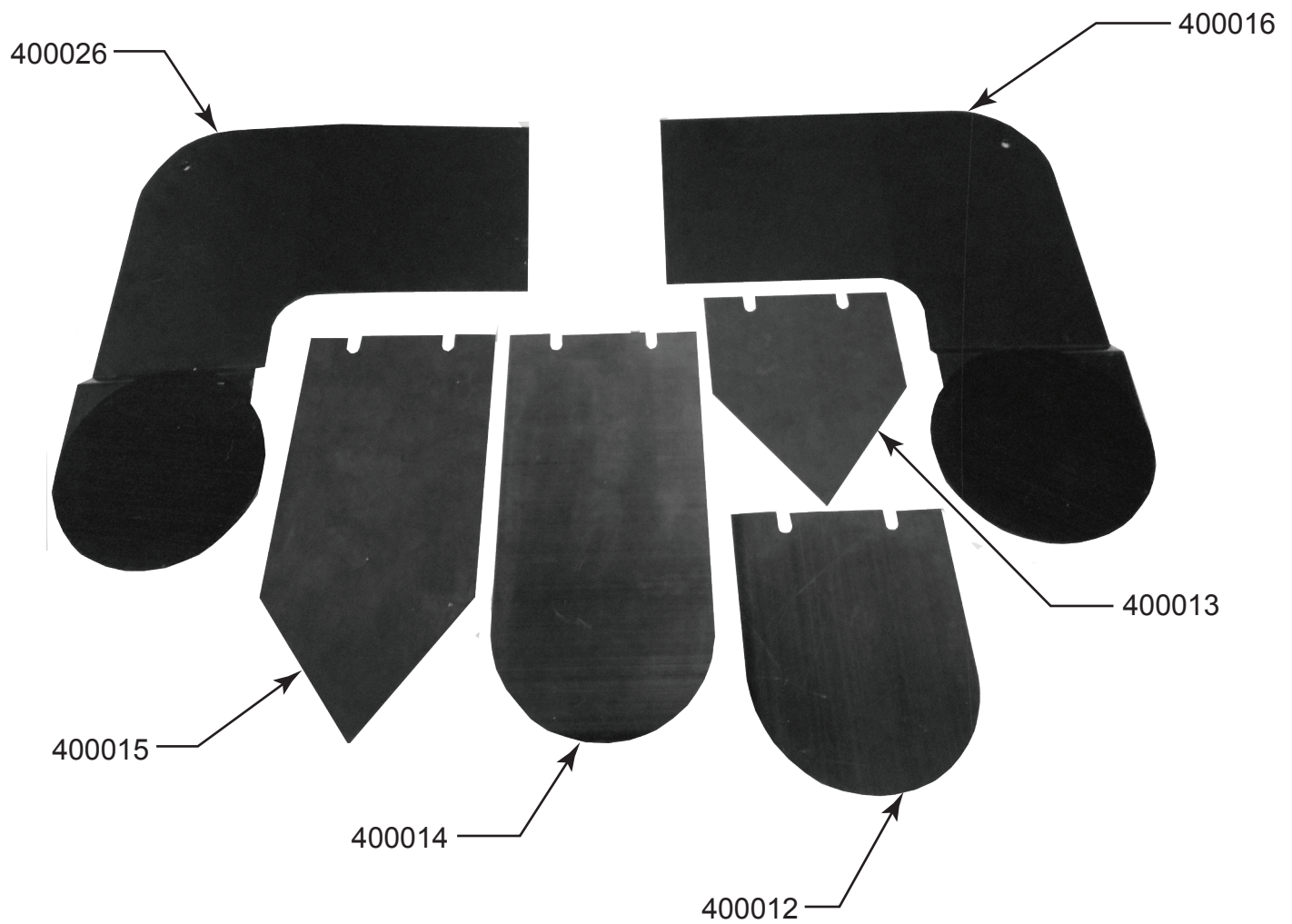


Figure 2

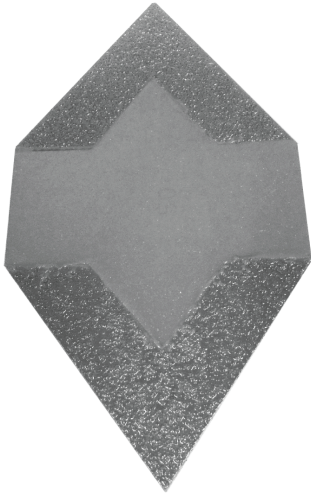
- Step 4) Remove eccentric by pushing in lock button on side of unit. Turn eccentric until it locks. Turn eccentric with channel lock pliers until it is removed. Eccentric screw and two (2) base plate cap screws will be exposed.
- Step 5) Remove two (2) base plate cap screws. Base plate can be removed.
- Step 6) Press cutting head bearing out of base plate. Reinstall new bearing by pressing it back in.
- Step 7) Reassemble by reversing these procedures.

ACCESSORIES



- 400012 Tooling Attachment, Round 5"
- 400013 Tooling Attachment, Triangle 5"
- 400014 Tooling Attachment, Round 10"
- 400015 Tooling Attachment, Triangle 10"
- 400016 Tooling Attachment, Post Tool (Left)
- 400026 Tooling Attachment, Post Tool (Right)

DIAMONDS



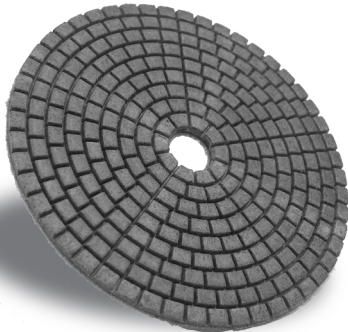
Corner Brazed

9420-30 30 Grit
9420-50 50 Grit
9420-100 100 Grit



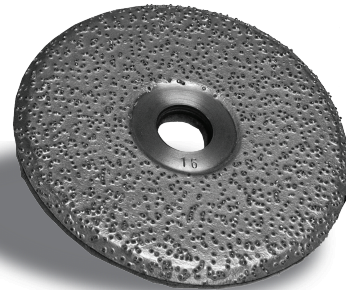
Corner Resin

9435-50 Grit
9435-100 Grit
9435-200 Grit
9435-400 Grit
9435-800 Grit
9435-1500 Grit
9435-3000 Grit



Polishing Pads

9267-50 50 Grit
9267-100 100 Grit
9267-200 200 Grit
9267-400 400 Grit
9267-800 800 Grit
9267-1500 1500 Grit
9267-3000 3000 Grit
9267-Buffer



Brazed Diamond

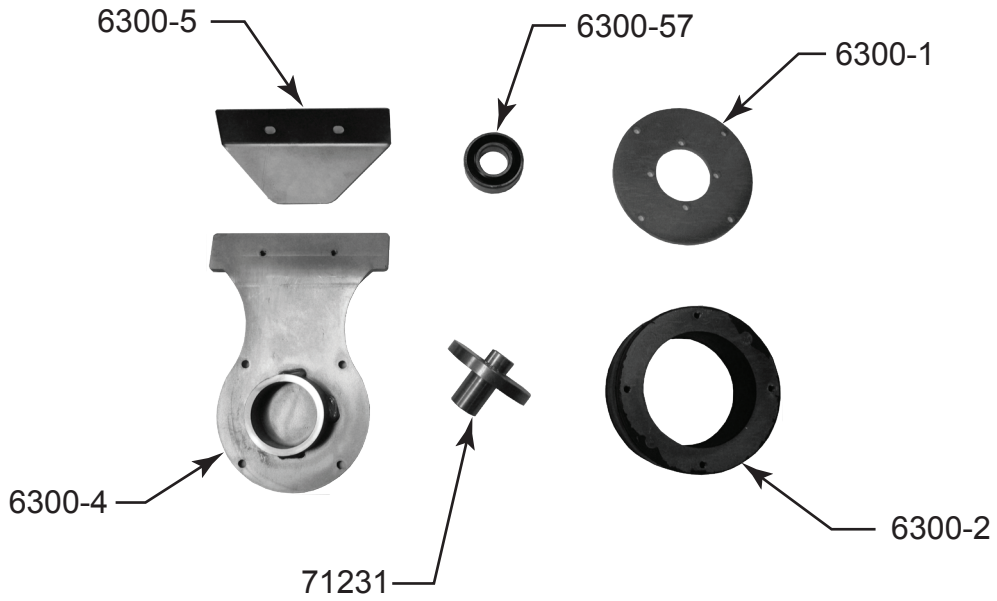
9235-16 16 Grit
9235-30 30 Grit
9235-50 50 Grit
9235-100 100 Grit

PARTS LIST

PART #	DESCRIPTION
6300-1	Base Plate
6300-2	Rubber Ring
6300-3	Bearing Cup
6300-4	Cutting Head
6300-5	Blade Mount
6300-57	Eccentric
71231	Bearing 25MM ID (2)
73006	1/4-20 x 3/4 button head cap screw (4) (not shown)
73014	1/4-20 x 1/2 hexhead Bolt
73019	1/4-20 x 3/4 hexhead bolt (8) (Not Shown)
73240	3/8-16 T-Bolt



PART NUMBERS AND DIAGRAMS



GUARANTEE

National Flooring Equipment, Inc. (National) warrants to the first consumer/purchaser that this National brand product (the #6300 Porta Stripper, when shipped in its original container, will be free from defective workmanship and materials and agrees that it will, at its option, either repair the defect or replace the defective product or part thereof at no charge to the purchaser for parts or labor for the period(s) set forth below.

This warranty does not apply to any appearance items of the product, to the additional excluded items set forth below, or to any product, the exterior of which has been damaged or defaced, which has been subjected to misuse, abnormal service or handling, or which has been altered or modified in design or construction.

In order to enforce the rights under this limited warranty, the purchaser should follow the steps set forth below and provide proof of purchase to National.

The limited warranty described herein is in addition to whatever implied warranties may be granted to purchasers by law. All implied warranties including the warranties of merchantability and fitness for use are limited to the periods from the date of purchase as set forth below. Some states do not allow time limitations on an implied warranty, so the above limitation may not apply to you.

Neither the sales person of the seller, nor any other person, is authorized to make any other warranties other than those described herein, or to extend the duration of any warranties beyond the time period described herein on behalf of National.

The warranties described herein shall be the sole and exclusive warranties granted by National and shall be the sole and exclusive remedy available to the purchaser. Correction of defects in the manner and for the period of time described herein, shall constitute complete fulfillment of all liabilities and responsibilities of National to the purchaser with respect to the product and shall constitute full satisfaction of all claims, whether based on contract, negligence, strict liability or otherwise. In no event shall National be liable, or in any way responsible for any damage or defects in the product which were caused by repairs or attempted repairs performed by anyone other than National. Nor shall National be liable, or in any way responsible, for any incidental or consequential, economics or property damage. Some states do not allow the exclusion of incidental or consequential damages, so the above exclusion may not apply to you.

This warranty gives you specific legal rights. You may also have other rights which vary from state to state.

Warranty period

The 3535 Corner tool is guaranteed to be free of manufacturer defective workmanship and in quality of materials for a period of one year.

Items excluded from warranty coverage, unless found and reported defective immediately upon removal from the original shipping container and before being used by the original purchaser.

A freight damage claim must be filed with the carrier by the purchaser, the shipper cannot file the freight claim.

To obtain service contact National Carpet Equipment, Inc. toll free at 800-245-0267 for a repair authorization number. COD freight returns will not be accepted. Freight collect shipments will not be accepted. Warranty repairs must be accompanied by date of purchase receipt and a return/repair authorization number.

062912



RETURN SHEET

Company Name: _____

Contact Name: _____

Telephone Number: _____

Approximate Usage (hours): _____

Problems Encountered: _____

Check One: Repair

Do you wish to be contacted before repairing Yes No

Return

Contact National if a loaner is needed

Return Authorization Number _____ Date _____

required, contact National

Customer Number _____

if known

Purchased From _____

if not directly purchased from National

INTERNAL USE ONLY

Date Received: _____

Unit Serial Number: _____

Subject To Warranty: _____

