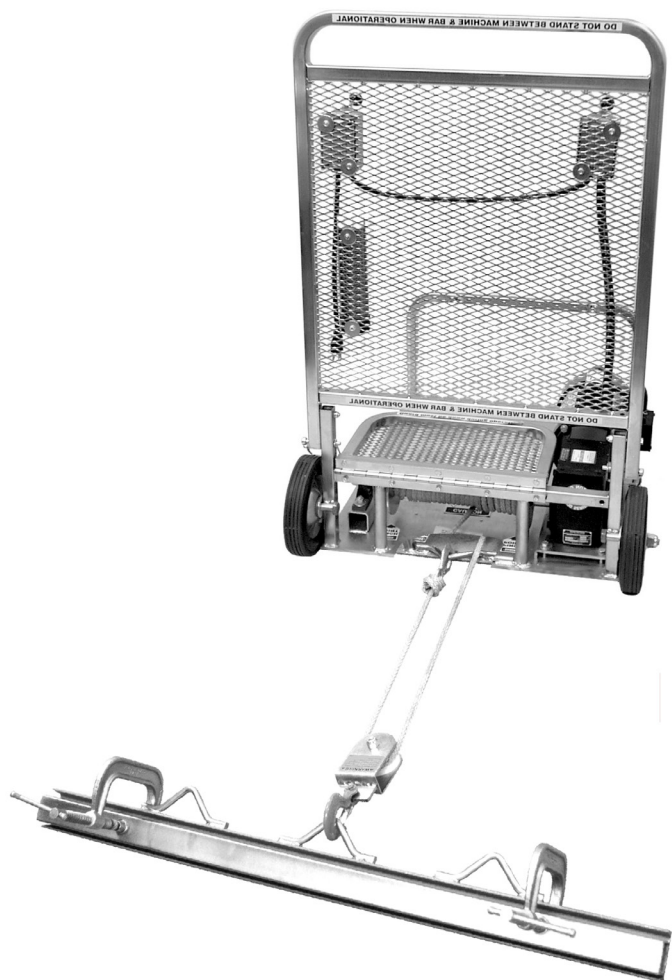


71 POWERED CARPET PULLER OPERATING & SERVICE MANUAL



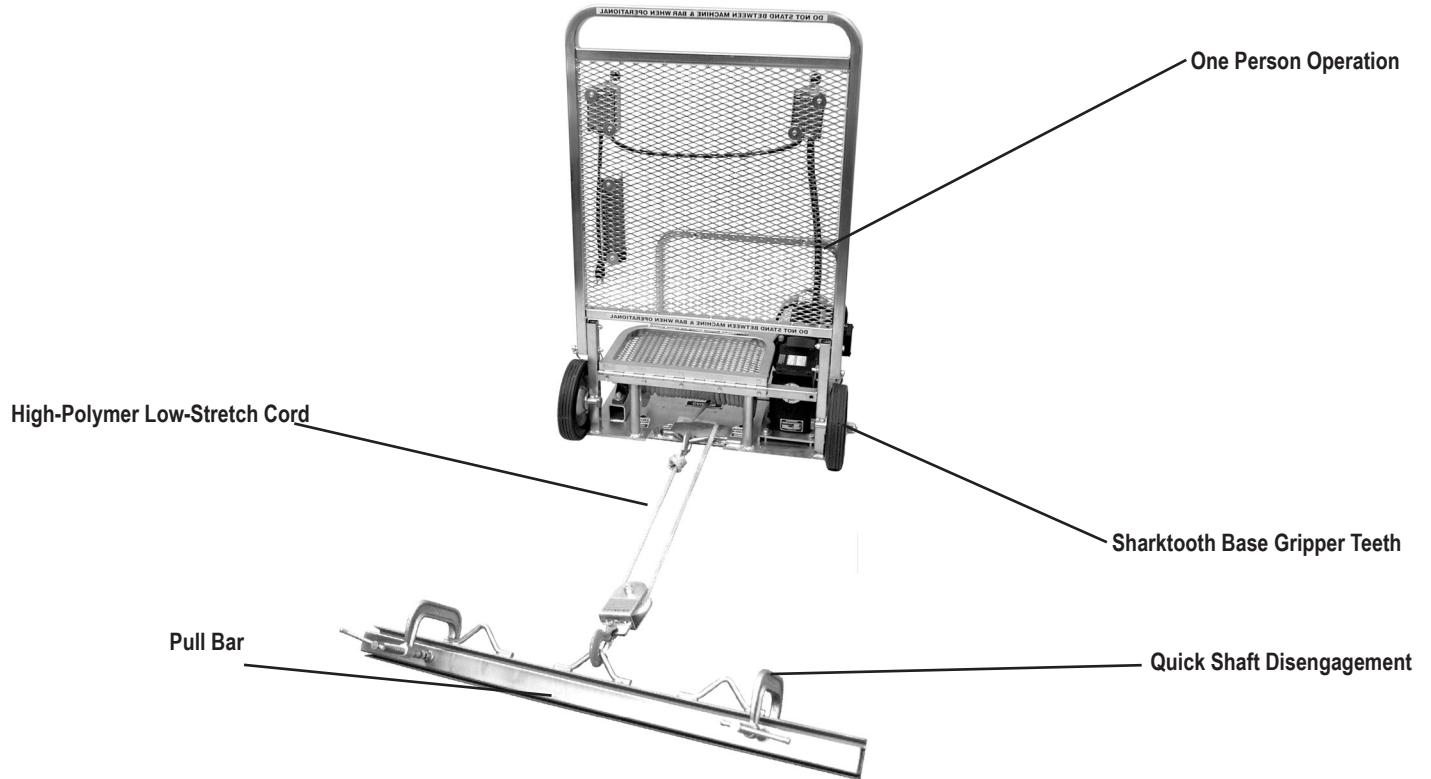
Read Manual Before Operating or
Servicing Machine

402294 Rev C

Table of Contents

Features and Specifications	4
Safety	5
General Rules for Safe Operation	5
Carpet Puller Safety Guidelines.....	6
Components and Assembly	7
Transport.....	7
Set up	7
Pre-Operation Inspection.....	8
Operation	9
General operation	9
Operating Controls.....	10
Troubleshooting Guide	11
Maintenance	12
Preventive Maintenance	12
Cleaning.....	12
Rope	12
Pull Bar	12
Gripper Strips.....	12
Replacing Gripper Strips.....	13
Lubrication	13
Adding/Changing Oil.....	13
Changing the Output Oil Seal	13
Parts List and Diagrams	15
Warranty	25

Features and Specifications



FEATURES

High-Polymer Low-Stretch Cord - Non-nylon low stretch high polymer cord designed for safer winch application (no cable).

Quick Shaft Disengagement - Waiting for the winch is not necessary and allows for fast re-hooks.

One Person Operation - Cuts normal labor to a fraction, easy to use on any job size.

Pull Bar - Strongest pull bars in the industry.

Sharktooth Base Gripper Teeth - Have a super hold even on flat carpet.

Product Specifications

Width	Length	Height	Weight	Speed	RPM	Input Power	HP	Amps (Full Load)
29.5" (75 cm)	34" (86 cm)	42" (107 cm) w/ screen 10" (25 cm) w/ screen folded down	185 lbs.	15-22 ft/min.	1,725	110	1	12

GENERAL RULES FOR SAFE OPERATION

Before use, anyone operating or performing maintenance on this equipment must read and understand this manual, as well as any labels packaged with or attached to the machine and its components. Read the manual carefully to learn equipment applications and limitations, as well as potential hazards associated with this type of equipment. Keep manual near machine at all times. If your manual is lost or damaged, contact National Flooring Equipment (NFE) for a replacement.

PERSONAL

Dress properly and use safety gear.

Do not wear loose clothing; it may be caught in moving parts. Anyone in the work area must wear safety goggles or glasses, hearing protection during extended use, and a dust mask for dusty operations. Hard hats, face shields, safety shoes, etc. should be worn when specified or necessary.

Maintain control; stay alert.

Keep proper footing and balance, and maintain a firm grip. Observe surroundings at all times and use common sense. Do not use when tired, distracted, or under the influence of drugs, alcohol, or any medication that may cause decreased control.

Keep hands away from all moving parts and tooling.

Wear gloves when changing tooling. Remove tooling when machine is not in use and/or lower cutting head to the floor.

Do not force equipment.

Equipment will perform best at the rate for which it was designed. Excessive force only causes operator fatigue, increased wear, and reduced control.

ENVIRONMENT

Avoid use in dangerous environments.

Do not use in rain, damp or wet locations, or in the presence of explosive atmospheres (gaseous fumes, dust, or flammable materials). Remove materials or debris that may be ignited by sparks. Keep work area tidy and well-lit - a cluttered or dark work area may lead to accidents. Extreme heat or cold may affect performance.

Protect others in the work area and be aware of surroundings.

Provide barriers or shields as needed to protect others from debris and machine operation. Children and other bystanders should be kept at a safe distance from the work area to avoid distracting the operator and/or coming into contact with the machine. Operator should be aware of who is around them and their proximity. Support personnel should never stand next to, in front of, or behind the machine while the machine is running. Operator should look behind them before backing up.

Guard against electric shock.

Ensure that machine is connected to a properly grounded outlet. Prevent bodily contact with grounded surfaces, e.g. pipes, radiators, ranges, and refrigerators. When scoring or making cuts, always check the work area for hidden wires or pipes.

MAINTENANCE & REPAIRS

Begin maintenance work only when the machine is shut down, unplugged, and cooled down.

Use proper cleaning agents.

Ensure that all cleaning rags are fiber-free; do not use any aggressive cleaning products.

Schedule regular maintenance check-ups.

Ensure machine is properly cleaned and serviced. Remove all traces of oil, combustible fuel, or cleaning fluids from the machine and its connections and fittings. Retighten all loose fittings found during maintenance and repair work. Loose or damaged parts should be replaced immediately; use only NFE parts.

Do not weld or flame-cut on the machine during repairs, or make changes to machine without authorization from NFE.

EQUIPMENT

Use proper parts and accessories.

Only use NFE-approved or recommended parts and accessories. Using any that are not recommended may be hazardous.

Ensure accessories are properly installed and maintained.

Do not permanently remove a guard or other safety device when installing an accessory or attachment.

Inspect for damaged parts.

Check for misalignment, binding of moving parts, loose fasteners, improper mounting, broken parts, and any other conditions that may affect operation. If abnormal noise or vibration occurs, turn the machine off immediately. Do not use damaged equipment until repaired. Do not use if power switch does not turn machine on and off. For all repairs, insist on only identical NFE replacement parts.

Maintain equipment and labels.

Keep handles dry, clean, and free from oil and grease. Keep cutting edges sharp and clean. Follow instructions for lubricating and changing accessories. Motor and switches should be completely enclosed at all times with no exposed wiring. Inspect cord regularly. Labels carry important information; if unreadable or missing, contact NFE for a free replacement.

Avoid accidental starting; store idle equipment.

When not in use, ensure that the machine is unplugged; do not turn on before plugging in. Store in a dry, secured place. Remove tooling when storing, and keep away from children.




CAUTION! ENSURE PROPER USE OF EXTENSION CORDS. IF AMP DRAW IS HIGHER THAN SHOWN ON TABLE OR CORD IS LONGER THAN 50 FT, SEE AN ELECTRICIAN.

ASSUMPTIONS: 3% ALLOWABLE VOLTAGE DROP, COPPER CONDUCTORS RATED FOR 75°C, 1.25 SAFETY FACTOR, CORD VOLTAGE RATING OF 600VAC, PROPER CORD TYPES (STO, STOW, SOOW).

Amp Draw	Gauge
0-12	14
13-16	12
14-24	10
25-40	8

Safety

CARPET PULLER SAFETY GUIDELINES

- Never stand in line of pull in case the rope breaks or the pull bar lets loose.
- Always have remote switches in hand.
- Do not allow yourself or others to become entangled in pulley, rope, winding shaft, or pull bar.
- Do not use any other type of rope that does not meet NFE specifications (less than 6-8% stretch, 13900 pound tensile strength).
- Rope should always pull straight into the machine, never at an angle.
- Never have machine at an angle where the rope winds sideways on the shaft. This could cause the rope to wind improperly on the shaft and damage the rope.
- Ensure hook is securely tied to rope. 
- Know the working load limit (WLL) of the rope being used and ensure it is appropriate for the application.
- Do not bend rope around unprotected, sharp corners. Do not use over rough surfaces without chafe protection.
- Motor should not be run without a fan cover in place.



WARNING: DO NOT USE CABLE. DOING SO COULD CAUSE PROPERTY DAMAGE OR BODILY INJURY.



WARNING: THE IMPROPER USE OF ROPE IS DANGEROUS, AND COULD RESULT IN BODILY INJURY OR DEATH. ROPE WILL FAIL IF WORN, DAMAGED, ABUSED, OVERLOADED, OR NOT PROPERLY MAINTAINED.



WARNING: DO NOT STAND WITHIN RECOIL (SNAPBACK) AREA, UNLESS PROTECTED BY SCREEN. FAILURE TO DO SO COULD CAUSE SERIOUS BODILY INJURY OR DEATH.



WARNING: DO NOT USE ANY OTHER TYPE OF ROPE THAT DOES NOT MEET NATIONALS SPECIFICATIONS. OTHER TYPES OF ROPE WHICH MAY HAVE THE PROPER WLL, GENERALLY HAVE A HIGH ELONGATION OR STRETCH FACTOR, MAKING MACHINE POTENTIALLY DANGEROUS FROM ROPE SNAP BACK RESULTING IN BODILY INJURY OR DEATH. ONLY USE NATIONAL #71-P33 REPLACEMENT ROPE FOR SAFE OPERATION. FAILURE TO DO SO COULD CAUSE PROPERTY DAMAGE OR BODILY INJURY. NEVER USE CABLE.

Components and Assembly

TRANSPORT

- Cover gripper strips during transportation or when machine is not in use.
- Use caution near gripper pins to avoid getting scratched. They are sharp.
- Fold screen down and secure with screen pins (Figure 1).
- When machine is not in use, lay machine down flat to safely store (Figure 2) and keep pin guard cover in place.
- When machine is being transported, lay machine flat (Figure 2). Secure machine to wall of truck and keep pin guard cover in place.
- To move machine on jobsite, lean machine back onto wheels to roll like a two wheel dolly, holding the screen as a handle (Figure 3). Remember to release any pressure from rope before trying to move or reposition machine.



WARNING: DO NOT LEAVE MACHINE STANDING-UP FREELY (FIGURE 1).



WARNING: FAILURE TO FOLLOW ANY OF THE ABOVE INSTRUCTIONS COULD CAUSE DAMAGE TO MACHINE, PROPERTY, OR SERIOUS BODILY INJURY.



FIG. 1



FIG. 2



FIG. 3

SET UP

1. Remove all debris from carpet area that machine will be anchored to. Keep pin base clear of obstructions (sweep with broom, or vacuum).
2. Set machine down onto gripper strip.
3. Remove (2) screen pins connected to frame and screen (Figure 4).
4. Fold screen up and re-place screen pins on both sides of lower screen (Figure 5).



WARNING: NEVER USE MACHINE WITH DAMAGED GRIPPER STRIPS, ROPE, PULLEY, PULL BAR OR SWITCH. FAILURE TO DO SO COULD CAUSE PROPERTY DAMAGE OR BODILY INJURY.



FIG. 4

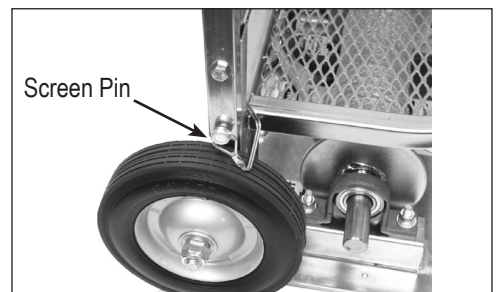


FIG. 5

Components and Assembly

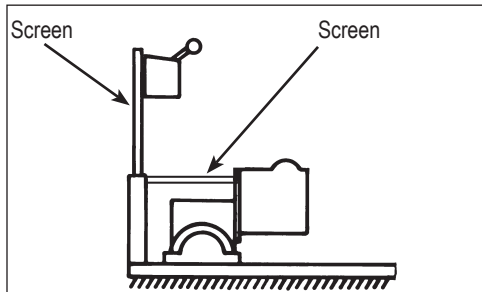


FIG. 6

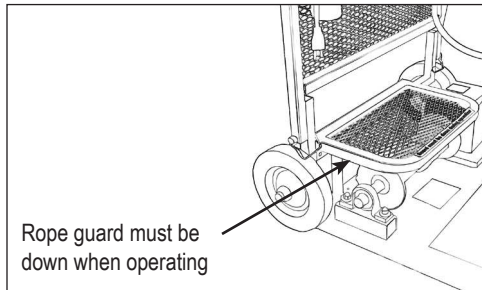


FIG. 7

PRE-OPERATION INSPECTION

- Make certain protective screens are in place before operating (Figure 6).
- Ensure rope guard is in place. Guard should be in the down position to cover rope and drive shaft (Figure 7).
- Inspect weld points on pull bar for security.
- Inspect clamps to ensure they are not bent or damaged.
- Inspect for loose or damaged parts on the pulley wheel, pulley housing, pulley hook and pin.
- Inspect rope for cuts or fraying. Replace frayed or damaged rope with NFE stock #71-P33. Ensure hook is fastened correctly to rope. Do not tie knots in rope.
- Keep gripper strip pins clean and free from debris. Replace damaged pins with new gripper strips, NFE stock #71-P7. Clean dirty pin strips with a stiff wire brush. Brush in direction of pin angle.
- Inspect wiring for cuts or damage and switches to ensure they are in good working condition. Switches must return to the off position when released.
- Ensure fill plug is installed on gear unit.
- Pulley should be inspected before each use. Loose or damaged parts should be replaced immediately.
- Inspect area to be removed for any possible obstruction on floor, defects in carpet, cross seams, floor outlets, columns or posts.
- Remove all debris from carpet area that machine will be anchored to. Keep pin base clear of obstructions. Dirty, damaged, or missing pin strips could cause machine to slip.



WARNING: NEVER ATTEMPT TO GUIDE ROPE BY HAND ONTO SHAFT WHILE UNDER POWER. OPERATOR COULD BECOME ENTANGLED IN WINDING SHAFT CAUSING SERIOUS INJURY.



WARNING: NEVER TOUCH ROPE OR WINDING SHAFT WHILE OPERATING. DOING SO COULD CAUSE BODILY INJURY.



WARNING: NEVER STAND IN FRONT OR NEXT TO PULL BAR OR TRY TO PULL ON IT WHEN ROPE HAS TENSION ON IT. DOING SO COULD CAUSE SERIOUS BODILY INJURY.



WARNING: SWITCHES MUST COME TO NEUTRAL POSITION AND SPOOL/ ROPE COME TO STOP BEFORE REVERSE DRIVE WILL ENGAGE.

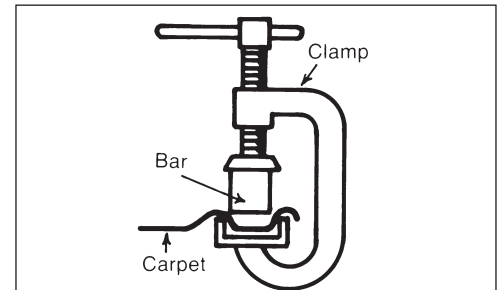
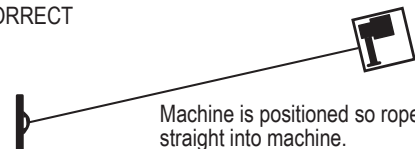


FIG. 8

CORRECT



INCORRECT

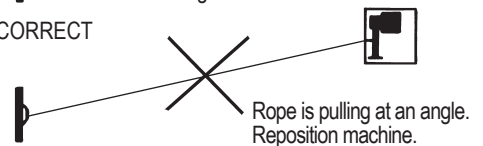


FIG. 9

GENERAL OPERATION

SCORING THE CARPET

- Score carpet in 6 foot widths, or narrower if the carpet is very strong.
- Carpet should be pulled lengthwise whenever possible. Carpet is the weakest, especially in woven or axminster construction, when pulling cross breadth. Watch for cross seams. If there is a small piece of carpet attached to the pull bar and the pull bar meets a cross seam, the pull bar will jump forward rapidly.

HOOKING UP THE PULL BAR

1. Loosen the carpet approximately 12-18" from the wall where the tearout will begin. (The #99 Cobra Clamp is an easy way to get ahold of carpet to pull away from the wall).
2. Attach pull bar to loosened carpet. Make sure the carpet goes all the way through the channel bar, reaching out the other side (all 3 sides) (Figure 8).
3. Insert bar and tighten "C" clamps. Make sure channel bar fits flat into the channel of the clamping bar (Figure 8). Failure to do so could cause bar to disengage carpet prematurely.

ROPE SET-UP

MOVE MACHINE INTO PLACE SO THAT THE ROPE WILL PULL STRAIGHT INTO THE MACHINE (FIGURE 9). IF ROPE IS PULLING AT AN ANGLE, STOP THE MACHINE AND RELEASE PRESSURE ON ROPE.

PULL ROPE SHOULD ALWAYS BE AT A 90 DEGREE ANGLE TO THE MACHINE. NEVER HAVE MACHINE AT AN ANGLE WHERE THE ROPE WINDS SIDWAYS ON THE SHAFT (FIGURE 9). THIS COULD CAUSE THE ROPE TO WIND IMPROPERLY ON THE SHAFT AND DAMAGE THE ROPE.

Usually, hook rope up to the center hook on the pull bar. Hooking to the right or left shift hook on the pull bar will keep the bar at an angle to stay clear of a wall or object.

POSITIONING MACHINE FOR STRAIGHT OR DOUBLE PULL

Single pull will remove approximately 20 ft/min. Double pull will remove approximately 12 ft/min. If machine seems bogged down when pulling on single pull, immediately shut off machine and switch to a double pull (Figure 10).

1. To adjust machine base, make sure tension is released from rope and pull bar. Lift

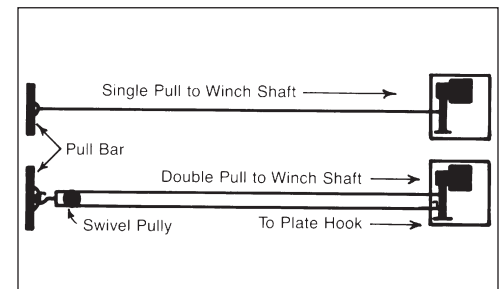


FIG. 10

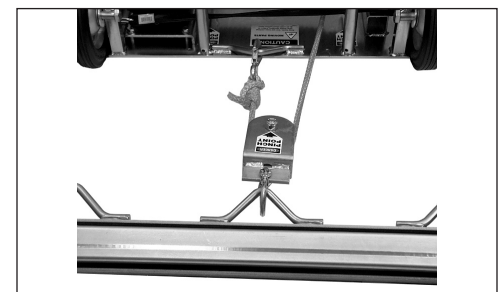


FIG. 10.1



FIG. 11

Operation



FIG. 12



FIG. 12.1

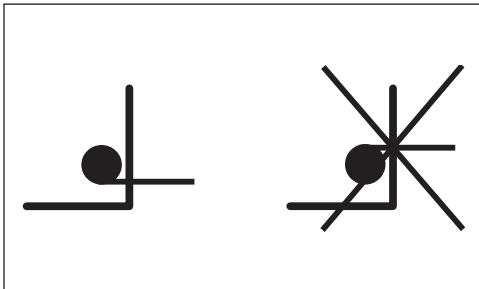


FIG. 13

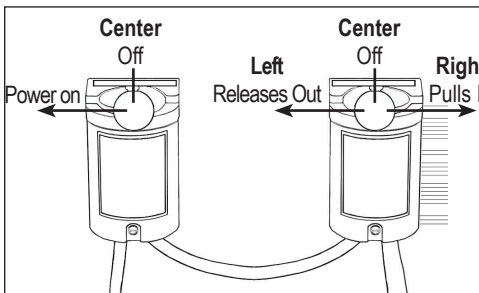


FIG. 14

base using front screen (Figure 11) and position for a straight pull.

2. Release drive shaft from pin to quickly extend the rope out to the pull bar.
3. Either hook rope onto pull bar (Figure 12) or hook pulley onto pull bar and insert rope hook through pulley to attach to the rope (Figure 12.1).
4. See Figures 10 and 10.1 for double pull instructions.
5. With power off, take up slack quickly by hand. Re-engage drive shaft to pin. Rope feeds in from the bottom of the drive shaft (Figure 13).

Note: If you need to make any adjustments on pull bar, be sure all pressure is released on pull rope. Ensure pull bar is always free from obstructions, such as posts or other solid objects. If you should hit an obstruction, release tension on rope before adjusting pull bar.

6. If strength of carpet does not allow 6 foot width to be pulled without breaking the carpet or stalling the machine, cut carpet into smaller widths or convert from single to double pull mode (Figure 10).

Note: Always release tension on rope and pull bar when machine is stopped. If using an



WARNING: NEVER STAND IN FRONT OR NEXT TO PULL BAR, BETWEEN PULL BAR AND THE MACHINE, OR TRY TO PULL ON THE BAR WHEN ROPE HAS TENSION ON IT. DOING SO COULD CAUSE SERIOUS BODILY INJURY.



WARNING: NEVER TRY TO OPERATE MACHINE UNATTENDED. DO NOT ALTER SWITCHES OR GUARDS. DO NOT DEFEAT A SAFETY DEVICE.

angle pull from one room to another, ensure hallways are blocked off.

OPERATING CONTROLS

Switches are spring activated. Both switches need to be moved off-center to keep the machine running (Figure 14).

- Left Switch (Power Cord On/Off): center is off, left is on.
- Right Switch (Motor Cord): center is off, right pulls rope in, and left releases rope



CAUTION: NEVER RAPIDLY MOVE THE SWITCH FROM FORWARD TO REVERSE. PULLING DIRECTION WILL NOT CHANGE.



CAUTION: SWITCHES MUST COME TO NEUTRAL POSITION AND SPOOL/ ROPE COME TO STOP BEFORE REVERSE DRIVE WILL ENGAGE

out.

Troubleshooting Guide

Problem	Cause	Solution
Unit fails to operate	Blown fuse or open circuit breaker	Replace fuse or reset circuit breaker
	No power	Check that proper power source and extension cord are being used
	Defective motor	Repair or replace
	Excessive load	Convert to double pull to reduce load
Input motor runs, but speed reducer output shaft doesn't turn	No input pin on shaft	Install pin
	Defective gear(s)	Check and replace if necessary
Intermittent rotation of output shafts	Poor electrical connection	Check connection
	Damaged gear assembly, possibly caused by shock load	Replace gear and, if possible, avoid shock load
Excessive noise	Bearings worn	Replace
	Shaft misaligned	Adjust shaft
	Weight overload which causes worn bearings	Correct load and/or replace bearing
	Insufficient lubrication	Check oil level
	Dented fan cover	Replace fan cover
Oil leak	Fill plug not installed	Install fill plug
	Gasket broken or not sealed	Replace or re-seal gasket
	Damaged or worn seal	Replace seal
	Too much oil	Check oil level
Machine moves while in use	Debris in gripper strips	Clean or replace gripper strips
		Remove debris from floor surface before setting machine in place to pull
Rope winds on shaft incorrectly	Pulling at an angle	Release pressure on rope; using screen, position machine for a straight pull

Maintenance



WARNING: ENSURE POWER SUPPLY IS DISCONNECTED BEFORE SERVICING MACHINE OR REMOVING ANY COMPONENTS. FAILURE TO DO SO COULD CAUSE ELECTRIC SHOCK.

PREVENTIVE MAINTENANCE

- Inspect for damage on power cords, rope, switches, and guards. Worn or broken cords and switches could result in electrical shock and should be replaced.
- Pull rope should be replaced when excessive wear (reduction in diameter), frays, or cuts are visible. Use #71-P33 Replacement Rope.
- Oil level in gearbox should be checked once per year. Remove level screw on side of gearbox; fill if needed (Mobil SHC 634).
- Drive shaft and pillow block bearing should be greased for free shaft movement to engage and disengage.
- Examine pulley for free movement of pulley wheel and to ensure pulley frame and hook are free from damage.



FIG. 1

CLEANING

Properly selected and installed electric motors are capable of operating for long periods with minimal maintenance. Periodically clean dirt accumulations in and around vent openings, preferably by vacuuming to avoid embedding dirt in windows.

Periodically check that all electrical connections are tight.

ROPE

Replace rope if frays or cuts are noticeable.

- **To remove rope**, lift guard and release drive shaft pin. Pull rope off of drive shaft. Cut knot off at the end of rope to remove.
- **To install rope**, insert rope through hole in drive shaft on the sidewinder guide. Tie a knot on end of rope to secure. Take up slack quickly by hand, then re-engage drive shaft pin. Release guard down into place. Turn switch to forward to wind rope onto drive shaft.

Secure rope hook to end of rope with knot as seen in Figure 1.

PULL BAR

Internal clamping bar could build up with residue.

1. Remove bar.
2. With gloves on, scrape off residue with a razor scraper or wipe off with a solvent.
3. Inspect clamp for proper condition.
4. Ensure "C" clamps are not bent and are working properly.
5. Re-place bar.

GRIPPER STRIPS

Use protective cover over gripper strips when the machine is being transported or not in use. Keep gripper pins free of debris.



FIG. 2

To remove debris, use a wire brush. Be sure to wear gloves and brush over pins in a downward motion (from back of machine to front of machine), removing debris caught in pins (Figure 2). Use a long shank screwdriver to pry out debris that is embedded into the pins.



CAUTION: NEVER USE MACHINE WITH DAMAGED OR CLOGGED GRIPPER STRIPS. CLOGGED GRIPPER STRIPS WILL NOT ALLOW MACHINE TO STAY SECURED WHICH COULD CAUSE DAMAGE TO MACHINE, PROPERTY DAMAGE, OR BODILY INJURY

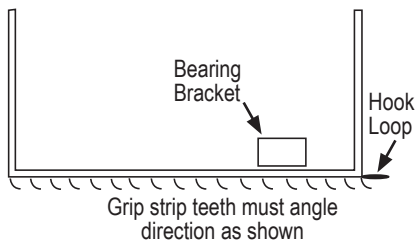


FIG. 3

REPLACING GRIPPER STRIPS

1. Remove (6) phillips head screws.
2. Remove damaged gripper strip and replace with a new gripper strip.
3. Gripper strip pins are angled. The angle faces towards the front of the machine (Figure 3). Repeat with (4) remaining gripper strips.
4. Re-place screws (Figure 4).

LUBRICATION

Figure 5 shows the correct locations for the oil fill plug, the oil level plug, and the oil drain plug on the reducer. Plugs may vary in location on the sides of the reducer.

For new reducers, change the oil 120 hours after the reducer starts operating (based on 8 hours per day operation). After the first change, change oil every 2,000 operating hours or every six months.

Use Mobil SHC® 634 gear lubricant or a similar synthetic gear oil. ISO viscosity grade 460. Available from National, stock #1450-40, 1 quart.

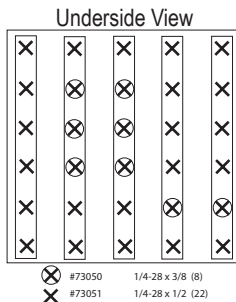


FIG. 4

ADDING/CHANGING OIL

To add oil:

1. Remove both the fill plug and oil level plug.
2. Place oil in the fill plug hole. Keep adding oil in until it starts to come out of the oil level plug hole.
3. Replace plugs.

To change oil, first drain oil from unit by removing the drain plug. Re-place drain plug and complete steps 1-3 for adding oil.

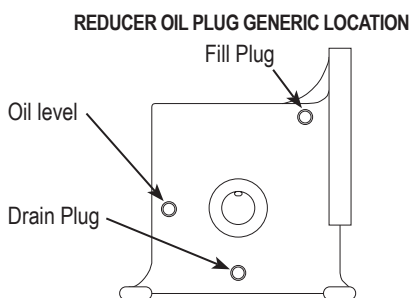


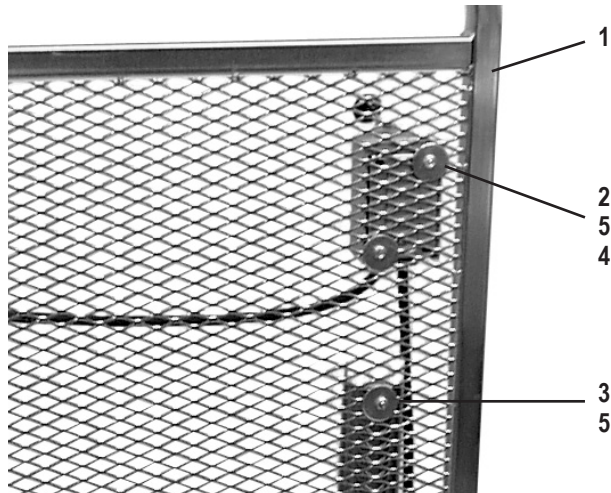
FIG. 5

CHANGING THE OUTPUT OIL SEAL

1. Remove the rope shaft and gear reducer from the unit.
2. Place some form of support, (2 x 4 etc.), under the gear reducer shaft to keep it from bending. Drive out the gear reducer shaft pin and pick out the old seal.
3. Clean out the area where the old seal was; install the new seal by carefully pressing it in.
4. Re-install drive pin; put loctite around the middle of the pin and carefully press into the shaft.
5. Re-install rope shaft.

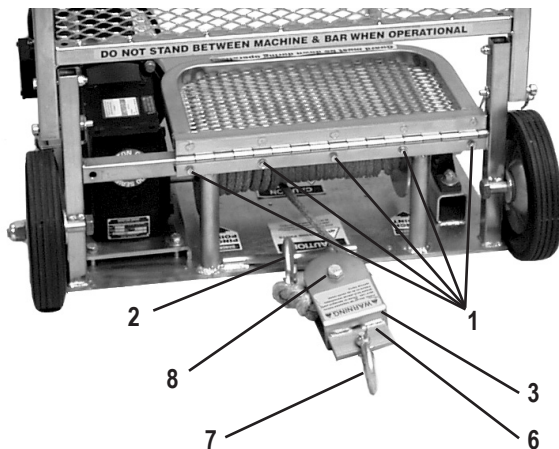
Parts List and Diagrams

SCREEN



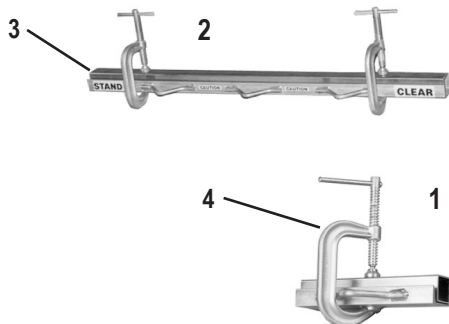
	PART#	DESCRIPTION	QTY
1	71-S2	SCREEN, NEW STYLE	1
2	73007	WASHER, FLAT, SAE, 1/4	6
3	73031	WASHER, FENDER, 1/4X1	2
4	74406	SCREW, PHILLIPS PAN HEAD 10-32X3/8	6
5	74425	NUT, KEPS LOCK 10-32	2

PULLEY



	PART#	DESCRIPTION	QTY
1	73049	RIVET, STEEL 1/4 .376-.500 SB88	5
2	71-P15	HOOK, ROPE	1
3	71-P16	PULLEY, COMPLETE	1
4	71-P16-1A	WHEEL, PULLEY (NOT SHOWN)	1
5	71-P16A	BUSHING, PULLEY (NOT SHOWN)	1
6	71-P16B	PULLEY, BODY	1
7	71-P16-2	PULLEY, HOOK W/LATCH	1
8	73409	BOLT, HEX HEAD CAP 1/2 -13 X 2-1/2	1

PULL BAR

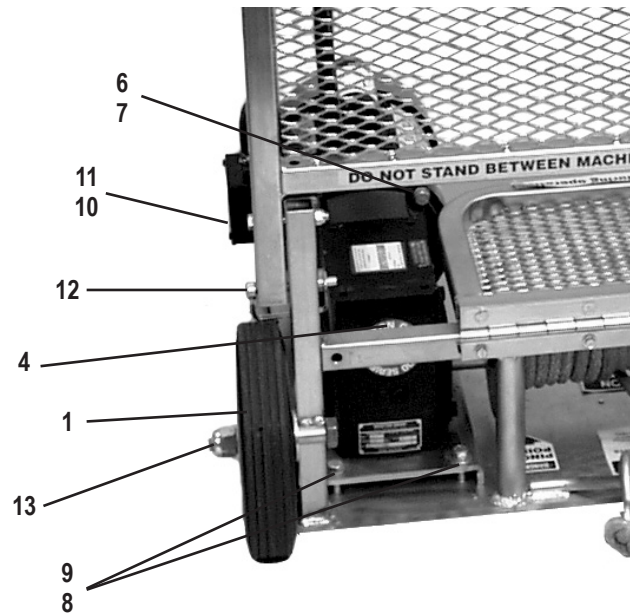


	PART#	DESCRIPTION	QTY
1	71-1	PULL BAR, 1FT	1
2	71-2	PULL BAR, 46"	1
3	71-2A	INSERT, CLAMP BAR, 46"	1
4	71-C	C-CLAMP	1

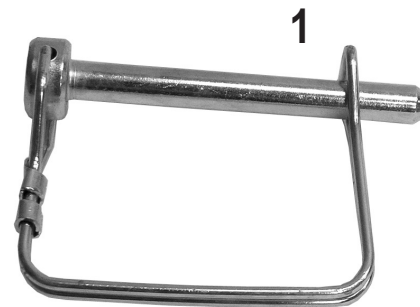
Parts List and Diagrams

PART#	DESCRIPTION	QTY
1	500-29 WHEEL, SILVER METAL	2
2	1450-13 SEAL, OIL, OUTPUT (NOT SHOWN)	1
3	1450-28 PIN, DRIVE SHAFT, (NOT SHOWN)	1
4	1451 REDUCER, GEAR, PIN & PLATE ASSEMBLY	1
5	1451-19 SEAL, GEAR REDUCER (NOT SHOWN)	1
6	73201 SCREW, HEX HEAD CAP, 3/8 X 16 X 1	4
7	73204 WASHER, LOCK 3/8	4
8	73215 WASHER, EXTERNAL LOCK, 3/8	4
9	73241 BOLT, HEX HEAD CAP 3/8-24X1-1/8	4
10	73322 NUT, NYLOC, 5/16-18	2
11	73327 BOLT, HEX HEAD CAP 5/16-18 X 2 1/2	2
12	73330 PIN, LOCKING, 5/16" X 2"	2
13	73525 NUT, NYLOCK 5/8-11	1

WHEEL & GEAR REDUCER

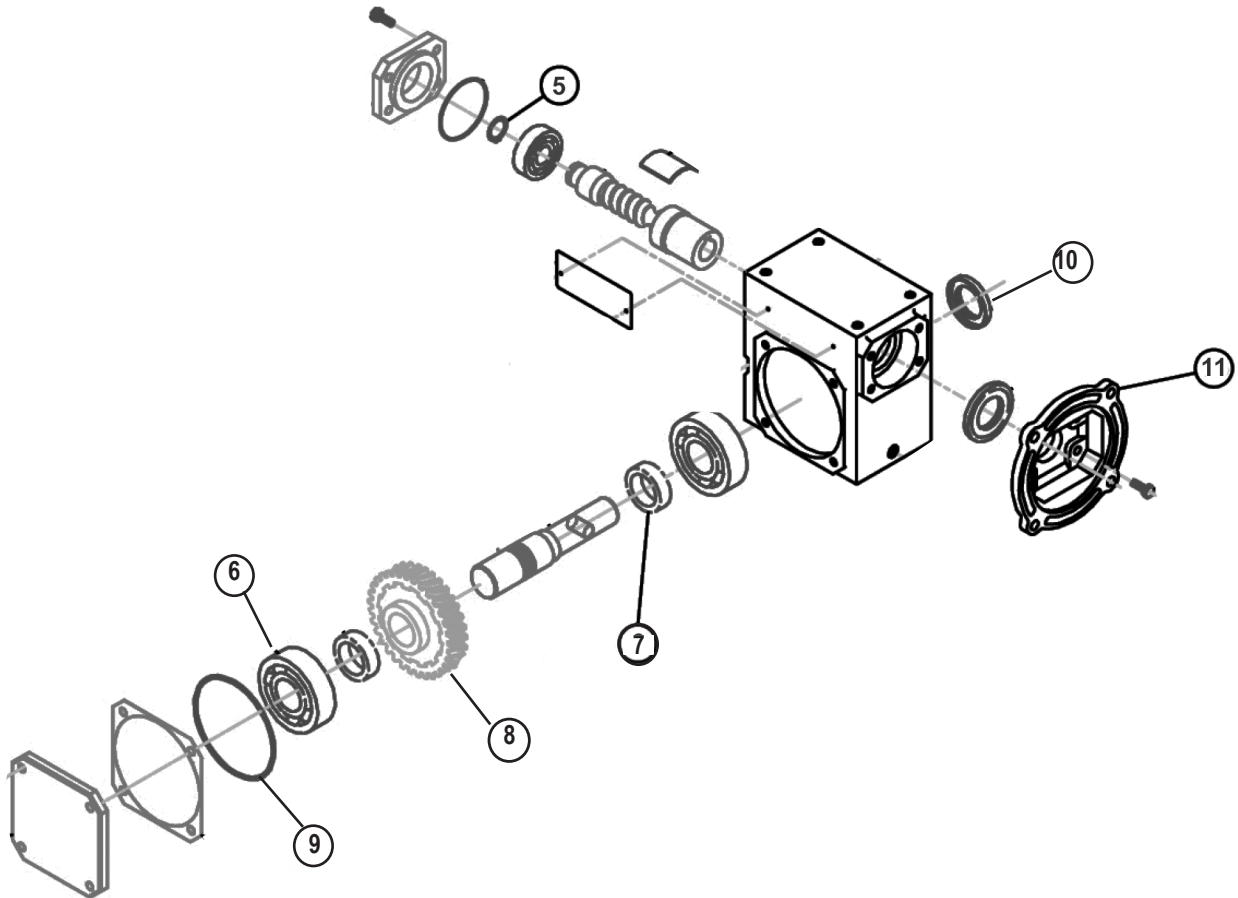


PART#	DESCRIPTION	QTY	PIN
1	73330 PIN, LOCKING, 5/16" X 2"	2	



Parts List and Diagrams

GEAR REDUCER

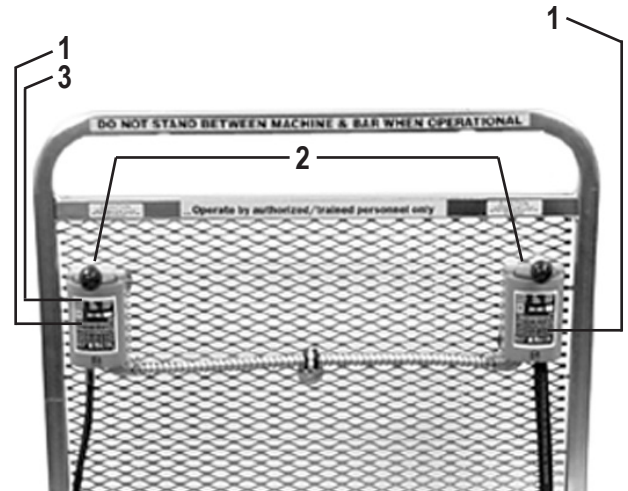


PART#	DESCRIPTION	QTY	PART#	DESCRIPTION	QTY		
1	1450-28	PIN, DRIVE SHAFT (NOT SHOWN)	1	7	1451-12	GEAR, SOLID OUTPUT	1
2	1450-40	OIL, GEAR, 1QT (NOT SHOWN)	1	8	1451-13	GEAR, SOLID OUTPUT, (2.06)	1
3	1450-50	PLATE, SPACER FOR GEAR(NOT SHOWN)	1	9	1451-14	O-RING	1
4	1451	REDUCER, GEAR, PIN & ASSEMBLY (NOT SHOWN)	1	10	1451-19	SEAL, OIL, OUTPUT	1
5	1451-6	O-RING, INPUT COVER	1	11	1451-20	FLANGE, QUILL	1
6	1451-11	ROLLER, BEARING CUP, OUTPUT TAPERED	1				

Parts List and Diagrams

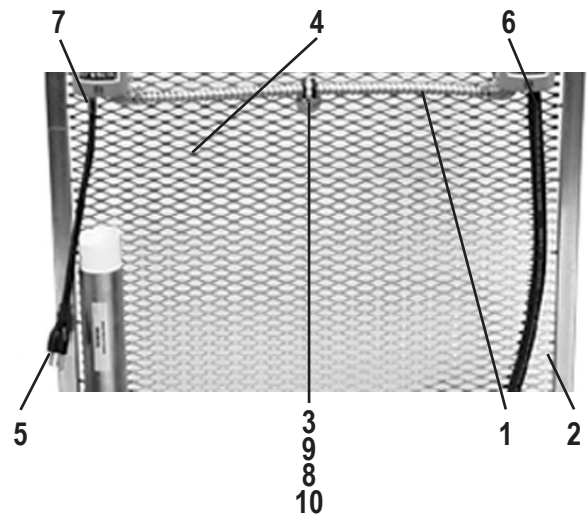
PART#	DESCRIPTION	QTY
1 71-P24	SWITCH, FORWARD/REVERSE	2
2 71-P27	SWITCH, DOUBLE, WIRED	1
3 71-P27-2	SWITCH, WITH POWER CORD	1

SWITCH PARTS



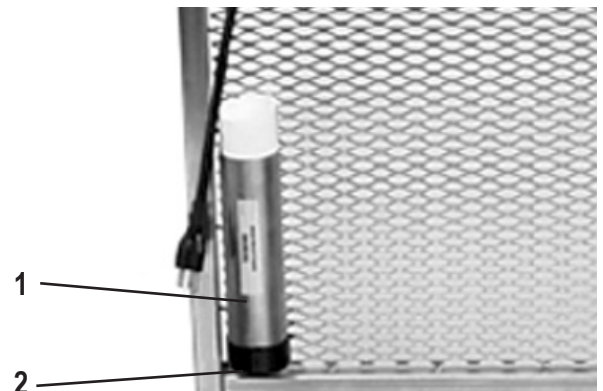
PART#	DESCRIPTION	QTY
1 71-P26D	WIRE, SWITCH TO SWITCH	1
2 71-P27-1A	CORD, MOTOR ONLY	1
3 63-P31	CLAMP, WIRE 3/4	2
4 71-P29	CONDUIT, FLEXIBLE, METAL 17 1/2	1
5 500-12	CORD, POWER, COMPLETE W/PLUG	1
6 72803	CONNECTOR, 1/2", STRAIGHT CABLE, 625-.750	1
7 72804	STRAIN RELIEF, STRAIGHT 1/2"	1
8 73031	WASHER, FENDER 1/4 X 1	1
9 74430	SCREW, PHILLIPS FLAT HEAD MACHINE, ZINC 10-32X3/4	1
10 74426	SCREW, MACHINE NUT 10-32	1

CORDS



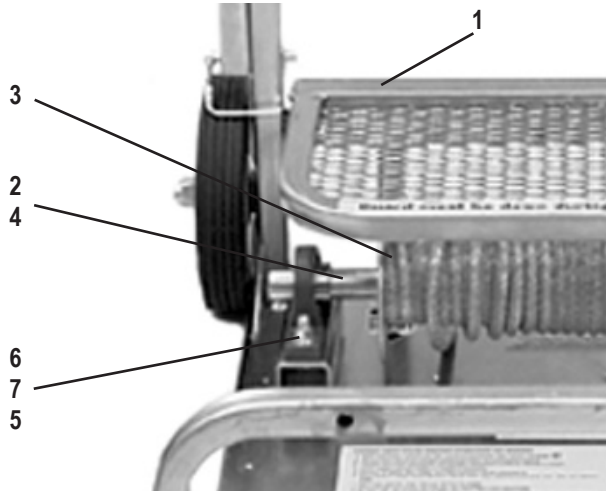
PART#	DESCRIPTION	QTY
1 70602	TUBE, INSTRUCTION MANUAL	1
2 70603	CAP, INSTRUCTION TUBE	1

INSTRUCTION TUBE



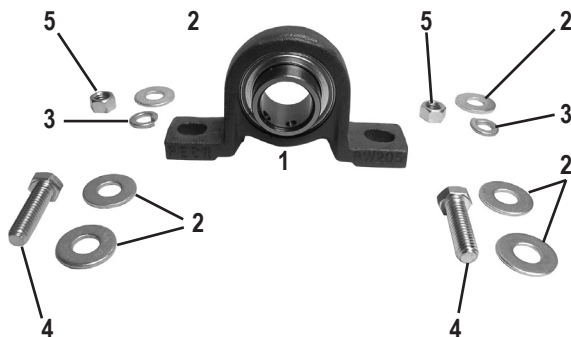
Parts List and Diagrams

ROPE & DRIVE SHAFT



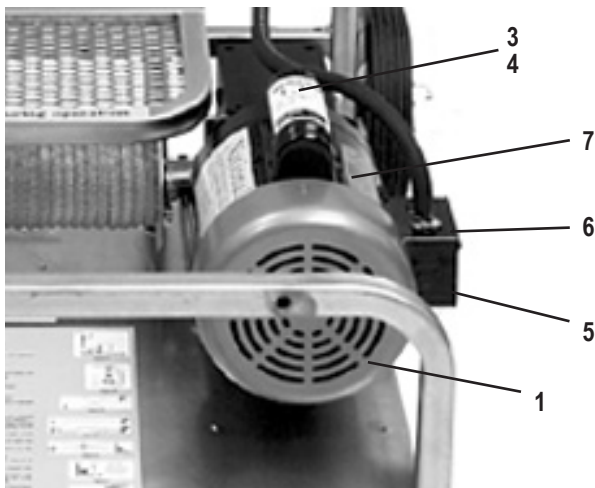
	PART#	DESCRIPTION	QTY
1	71-20	GUARD, ROPE	1
2	71-P17	SHAFT, DRIVE	1
3	71-P33	ROPE, 50FT, POWERED PULLER	1
4	71112	BEARING, 1 ID	1
5	73203	WASHER, FLAT, 3/8	6
6	73206	BOLT, HEX HEAD, 3/8-16 X 1-1/4	2
7	73210	WASHER, INTERNAL/EXTERNAL LOCK 3/8 2	

PILLOW BLOCK BEARING PARTS



	PART#	DESCRIPTION	QTY
1	71112	BEARING, 1 ID	1
2	73203	WASHER, FLAT, 3/8	6
3	73204	WASHER, LOCK, 3/8	4
4	73206	BOLT, HEX HEAD 3/8-16 X 1-1/4	2
5	73207	NUT, NYLOCK, 3/8-1	2

MOTOR

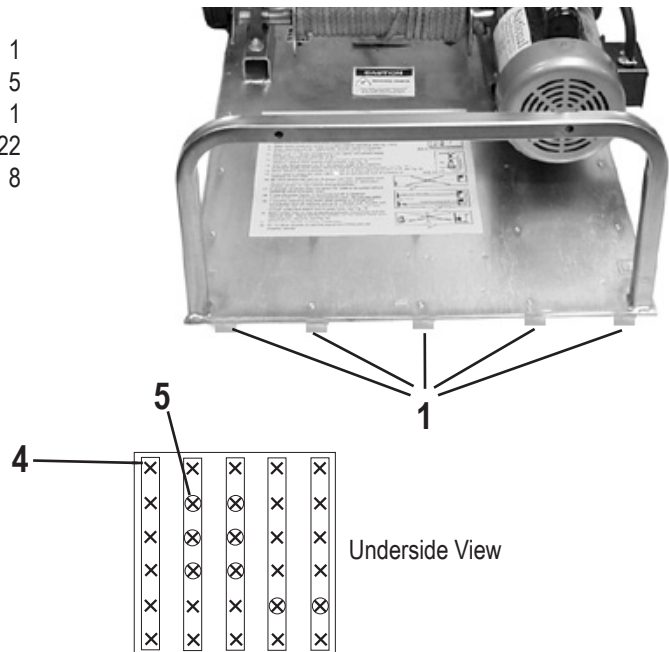


	PART#	DESCRIPTION	QTY
1	62180	COVER, MOTOR FAN, SIDE MOUNT SCREW	1
2	62181	FAN, MOTOR (NOT SHOWN)	1
3	62182	COVER, CAPACITOR, LEESON	1
4	62183	CAPACITOR, LEESON	1
5	62190	BOX, ELECTRIC	1
6	62191	COVER, CONDUIT BOX	1
7	72352	MOTOR, 1 HP, 113855.00	1

Parts List and Diagrams

PART#	DESCRIPTION	QTY
1 71-P8	GRIPPER STRIP REPLACEMENT (5 STRIPS PER BASE)	1
2 71-P8S	SPACER, GRIP STRIP (NOT SHOWN)	5
3 71-P32	COVER, ONLY, PROTECTIVE (NOT SHOWN)	1
4 73051	SCREW, BUTTON HEAD CAP 1/4-28 X1/2	22
5 73050	SCREW, BUTTON HEAD CAP 1/4-28 X 3/8	8

GRIPPER STRIP



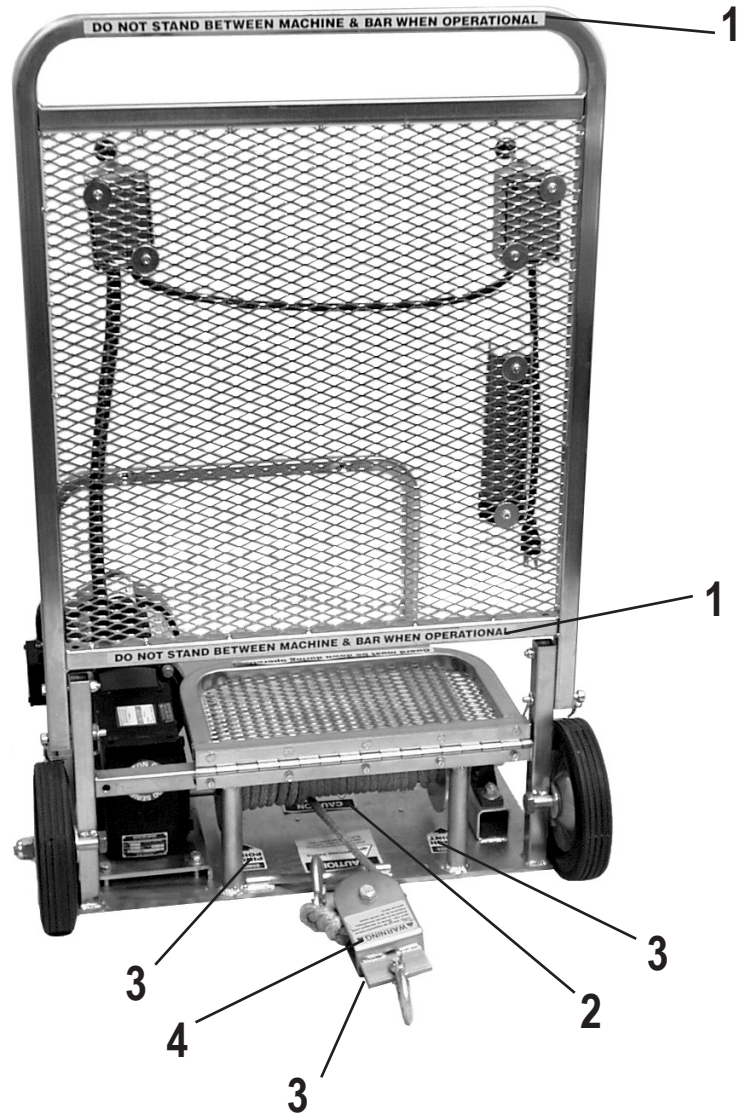
PART#	DESCRIPTION	QTY
1 71-P27	SWITCH, DOUBLE, WIRED	1

SWITCH & CORDS



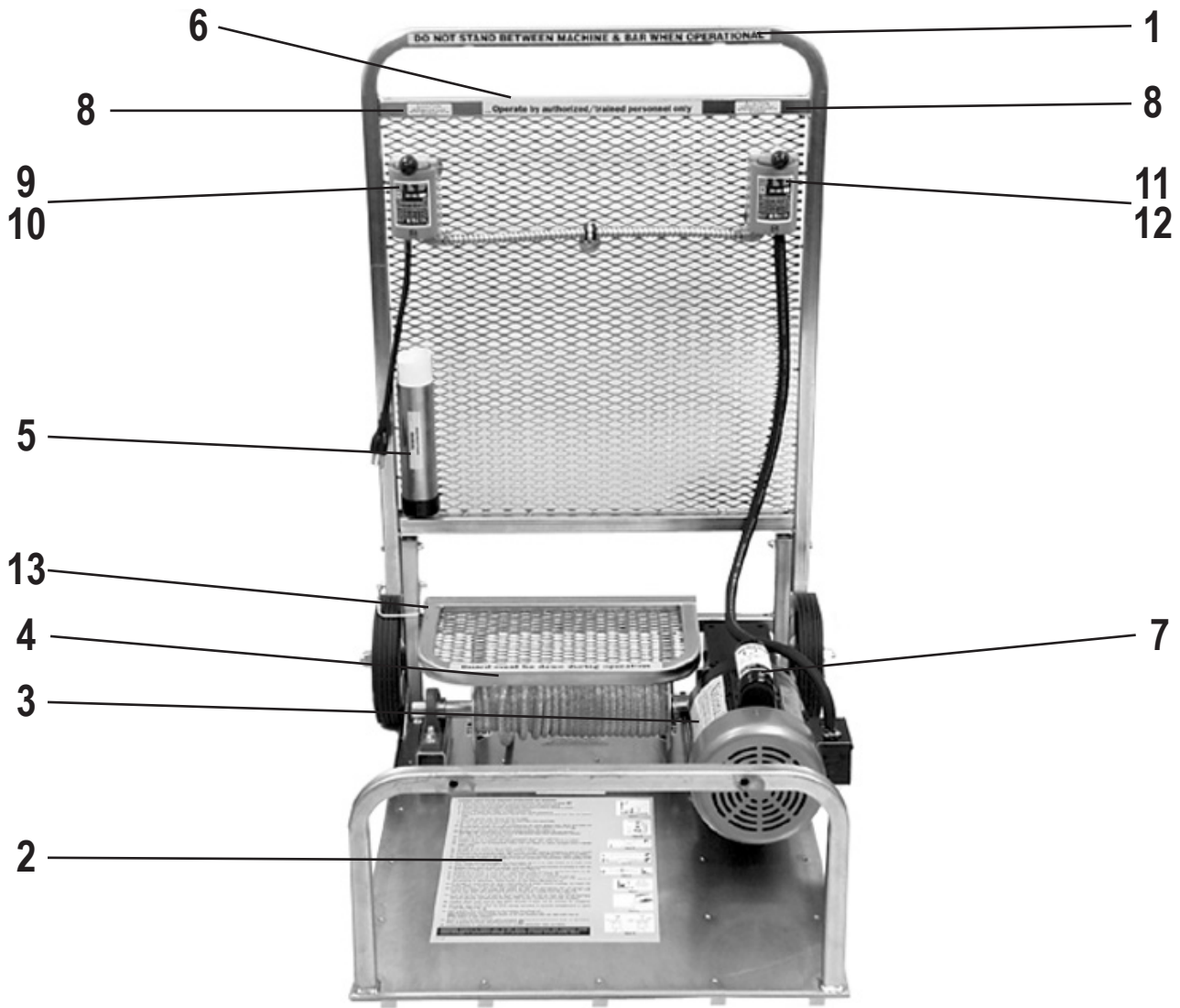
Parts List and Diagrams

LABELS



PART#	DESCRIPTION	QTY	PART#	DESCRIPTION	QTY
1	L26 LABEL, DO NOT STAND BETWEEN	2	4	L1000 LABEL, PULLEY WARNING	1
2	L33B LABEL, CAUTION MOVING PART	2			
3	L106 LABEL, PINCH POINT	3			

Parts List and Diagrams



PART#	DESCRIPTION	QTY	PART#	DESCRIPTION	QTY
1	L26 LABEL, DO NOT STAND BETWEEN	1	8	L107 LABEL, MOTOR MUST STOP	2
2	L27 LABEL, OPERATING INSTRUCTIONS	1	9	L110A LABEL, ON	1
3	L32 LABEL STOCK #71	1	10	L110B LABEL, PULLER OFF	1
4	L33A LABEL, GUARD MUST BE DOWN	1	11	L110C LABEL, PULLER IN	1
5	L33C LABEL, INSTRUCTION MANUAL	1	12	L110D LABEL, PULLER OUT	1
6	L33D LABEL, AUTHORIZED PERSONNEL ONLY	1	13	L135 LABEL, NO STEP	1
7	L49 LABEL, CORD CAUTION	1			

Parts List and Diagrams

PARTS NOT SHOWN

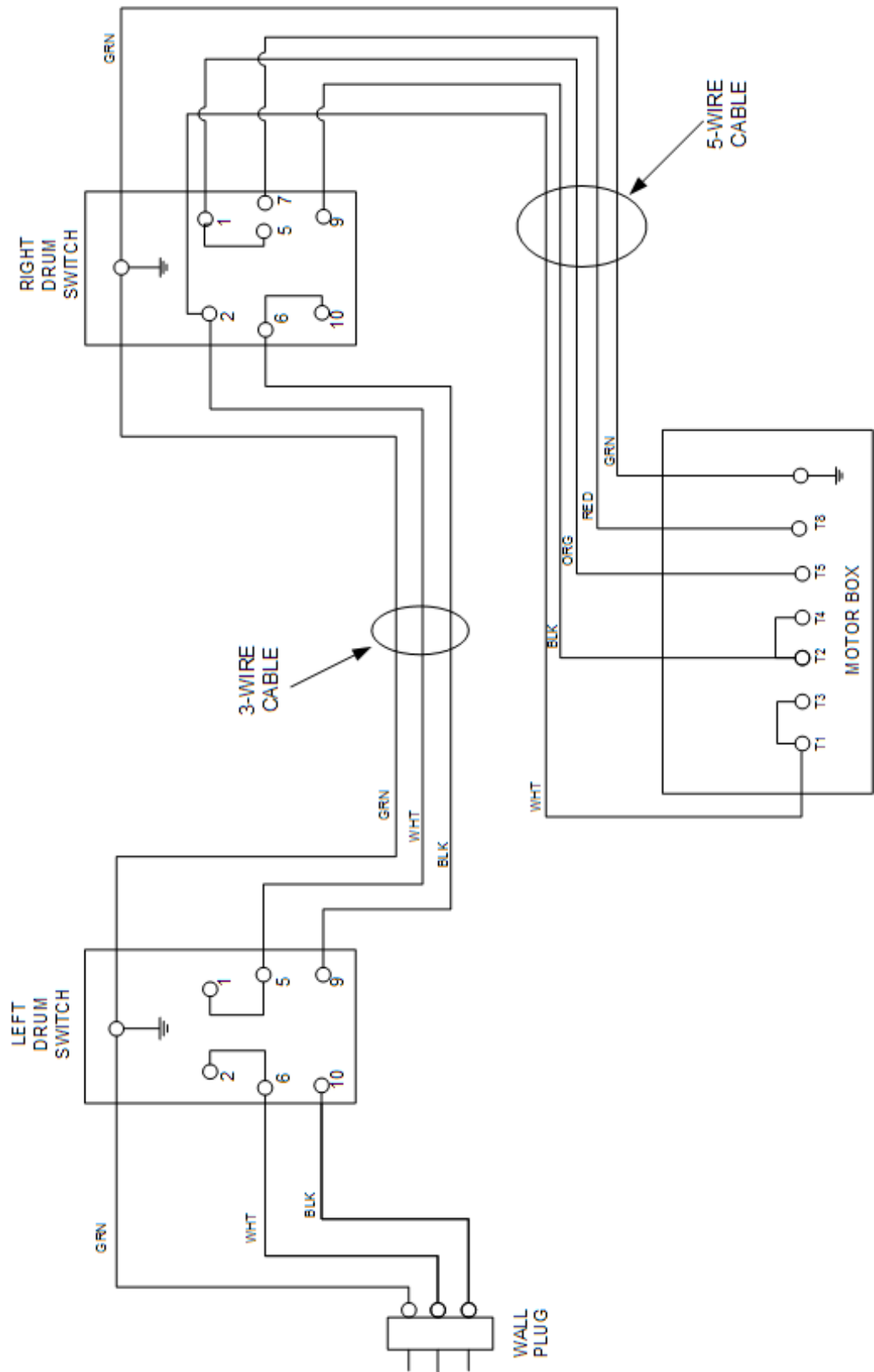
	PART#	DESCRIPTION	QTY
1	1009	GLASSES, SAFETY	1
2	1451-G	REDUCER, GEAR	1
3	63-R	ROPE, 3/8"	50
4	63-R600	ROPE, 3/8", 600' SPOOL	1
5	71-FR	FRAME, CARPET PULLER	1
6	73402	NUT, NYLOCK 1/2-13	1
7	71-P29B	GREENFIELD, METAL, 3/8" FLEX, 100' ROLL	18
8	72401	STRAIN RELIEF	2
9	72805	CONNECTOR, STRAIGHT CABLE, 3/4	1
10	72806	RELIEF, STRAIN, STEEL 3/4	1
11	73506	STRAIN RELIEF, 90 DEGREE 3/8 INCH	2
12	400123	CARPET, SQUARE CUT	1
13	70705	GROMMET	4
14	71-P32A	CORD, BUNGEE 21"	2
15	73025	RIVET, 1/4	5
16	73526	WASHER, FLAT, SAE, 5/8	4
17	L124	LABEL, IMPROPER USE OF ROPE	1

Parts List and Diagrams

WIRING DIAGRAM

2/18/08

110-120 VOLT SYSTEM
71 CARPET PULLER ELECTRICAL SCHEMATIC
FOR 2-DRUM SWITCHES AND STATIONARY SCREEN



THIS PAGE INTENTIONALLY LEFT BLANK

Warranty

National Flooring Equipment Inc. (referred to as "The Company") warrants that each new unit manufactured by The Company to be free from defects in materials and workmanship in normal use and service for a period of twelve (12) months from date of shipment from The Company to the end user. If shipment to end user is from a Distributor, The Company may honor warranty for up to 15 months from initial shipment from the Company if the end user can provide documentation of receipt date. Accessories or equipment furnished and installed on the product by the Company but manufactured by others, including but not limited to: engines, motors, electrical components, transmissions etc., shall carry the accessory manufacturers own warranty. Battery warranties are prorated over the warranty period. Customer is responsible for the inspection of equipment or parts upon delivery. **Freight damages are excluded from this warranty.**

The Company, at its determination of defect, will repair or replace any product or part deemed to be defective in material or workmanship within specified warranty time period. All product determinations and / or repairs will take place at The Company repair facility or at a certified warranty location designated by The Company. The Company will coordinate and be responsible for all freight expenses associated with valid warranty claims. Freight and shipping expenses associated with abuse or misuse will be back charged to the Distributor/Customer. The Company reserves the right to modify, alter or improve any part / parts without incurring any obligation to replace any part / parts previously sold without such modified, altered or improved part / parts. In no event shall the seller or manufacturer of the product be liable for special, incidental, or consequential damages, including loss of profits, whether or not caused by or resulting from the negligence of seller and / or the manufacturer of the product unless specifically provided herein. **This warranty shall not apply to any products or portions there of which have been subjected to abuse, misuse, improper installation or operation, lack of recommended maintenance, electrical failure or abnormal conditions, and to products which have been tampered with, altered, modified, repaired, reworked by anyone not approved or authorized by the Company or used in any manner inconsistent with the provisions of the above or any instructions or specifications provided with or for the product.** Any and all unauthorized onsite warranty work conducted by unauthorized personnel or any outside person(s), is not covered by The Company unless the work has been pre-authorized by a predetermined manufacturer representative. This warranty excludes wearable parts and/or consumables.

Defective or failed material or equipment shall be held at the purchaser's premises until authorization has been granted by The Company to return or dispose of defective products. Products returned to The Company for inspection must be returned with a manufacturer authorized Return Material Authorization (RMA), and must be packaged to The Company's specifications to avoid damage during shipment. Any unauthorized return of equipment will be declined at the dock by The Company. Any non-approved items returned with approved returned items are subject to rejection and will not be credited. Credit will be issued for material found to be defective upon The Company's inspection based on prices at time of purchase.

TO OBTAIN SERVICE CONTACT NATIONAL FLOORING EQUIPMENT, INC. TOLL FREE AT 800-245-0267 FOR A REPAIR AUTHORIZATION NUMBER. COD FREIGHT RETURNS WILL NOT BE ACCEPTED. FREIGHT COLLECT SHIPMENTS WILL NOT BE ACCEPTED. WARRANTY REPAIRS MUST BE ACCOMPANIED BY DATE OF PURCHASE RECEIPT AND A RETURN/REPAIR AUTHORIZATION NUMBER.

RETURN/REPAIR AUTHORIZATION NUMBER: _____

MACHINE SERIAL NUMBER: _____



Made in America Since 1968

9250 Xylon Avenue N • Minneapolis, MN 55445 • U.S.A.
Toll-free 800-245-0267 • Phone 763-315-5300 • Fax 800-648-7124 • Fax 763-535-8255
Web Site: www.nationalequipmentdirect.com • E-Mail: info@nationalequipment.com